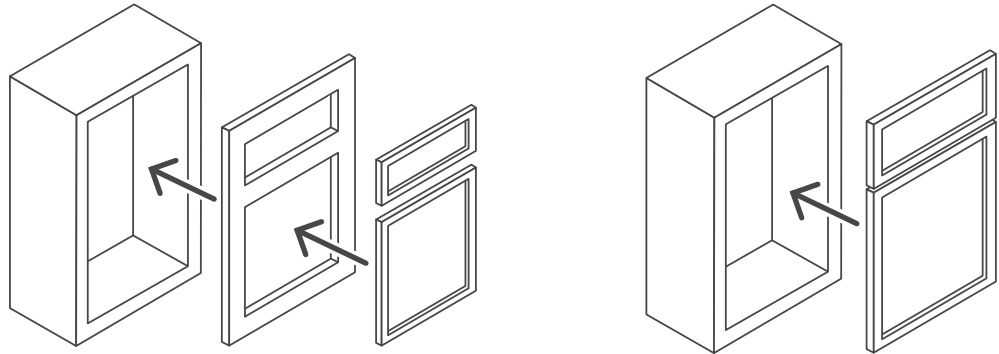


Framed vs. Frameless Cabinets: Side-By-Side Comparison



	Framed Cabinets	Frameless Cabinets
Style	Traditional	Modern
Construction	Hinges attach to the cabinet face frame	There is no face frame; hinges attach directly to the cabinet box
Storage	Slightly less storage due to the face frame	Slightly more storage
Durability	May be slightly more durable	May be less durable depending on materials used
Price	Typically cheaper than frameless cabinets	Typically more expensive than framed cabinets