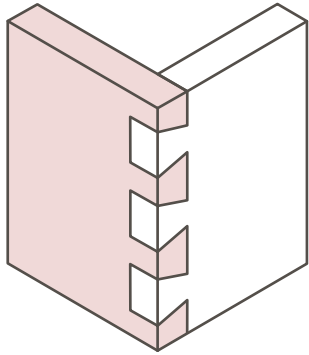


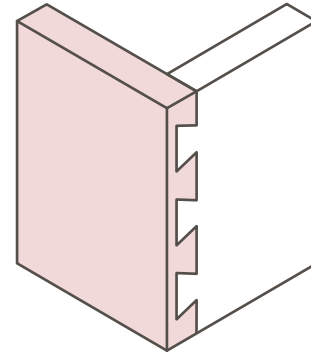
# Types of Dovetail Joints



## Through Dovetail Joints

Strong woodworking joint where interlocking wedges are visible on both sides of the connected boards.

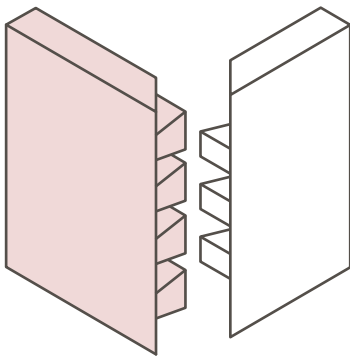
**Best for:** Boxes, shelves, and cabinets



## Half-Blind Dovetail Joints

Conceals the joint by housing the pins in sockets at the end of the piece of wood.

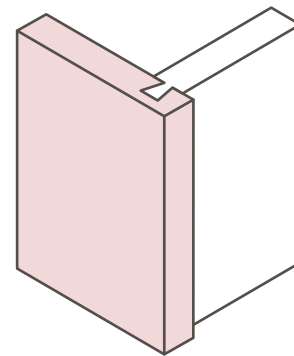
**Best for:** Cabinet drawers



## Secret Mitered Dovetail Joints

Conceals the grooves of a dovetail joint internally and externally by forming an outer edge that hides the joints inside.

**Best for:** Picture frames, fine cabinetry, and boxes



## Sliding Dovetail Joints

Connect by sliding one board into the socket of another board at a 90-degree angle.

**Best for:** Shelves, tables, sides of drawers, and instruments