



*Tall Oven Cabinet
Assembly Guide*

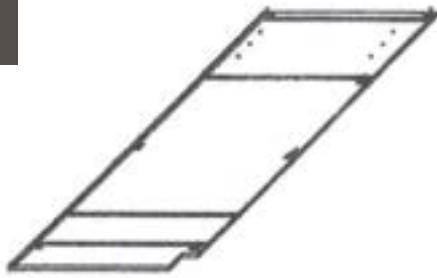
ASSEMBLY
GUIDE

Cabinet Styles:
Versa Shaker
Dark Caramel

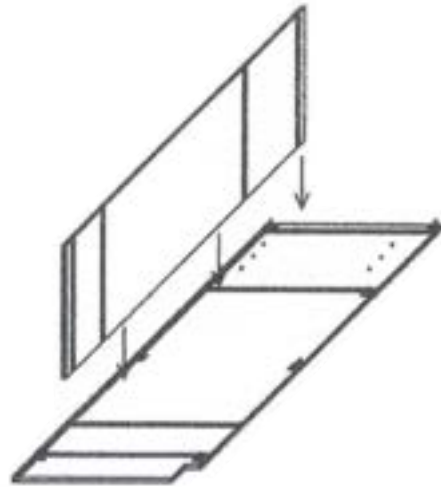
KitchenCabinetKings.com
(888) 696-6454



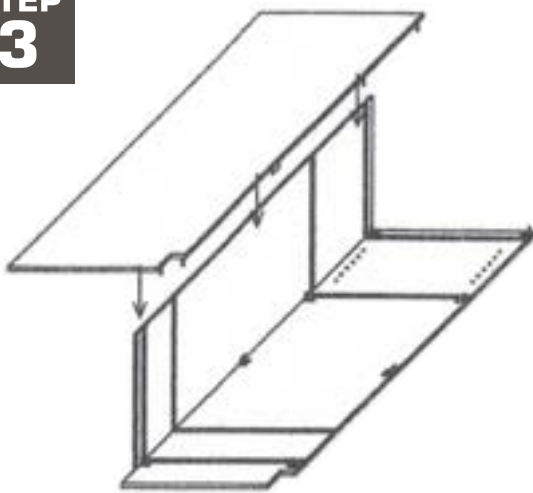
**STEP
1**



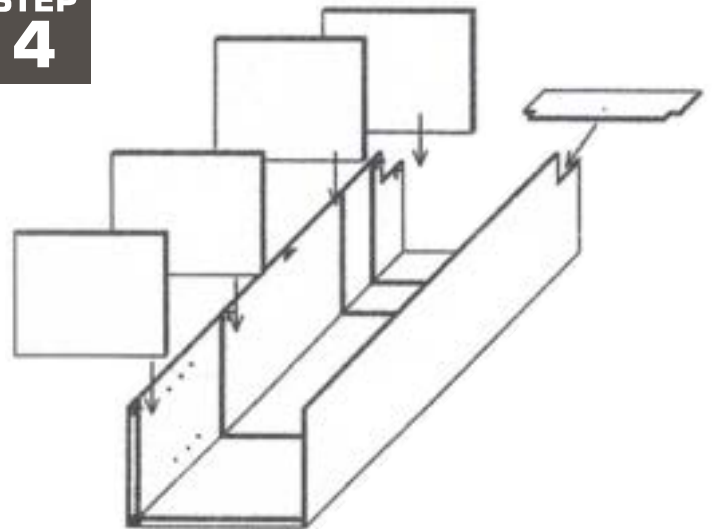
**STEP
2**



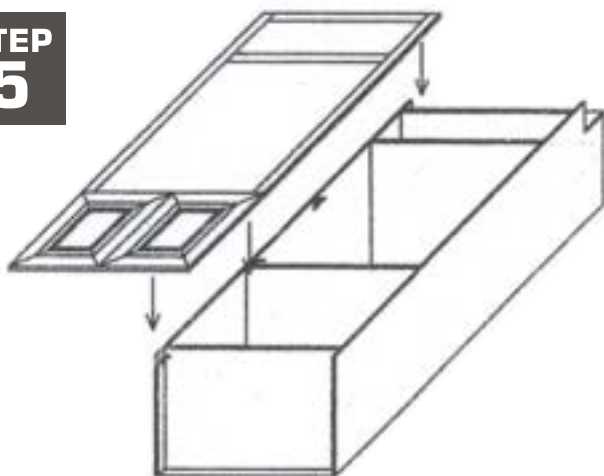
**STEP
3**



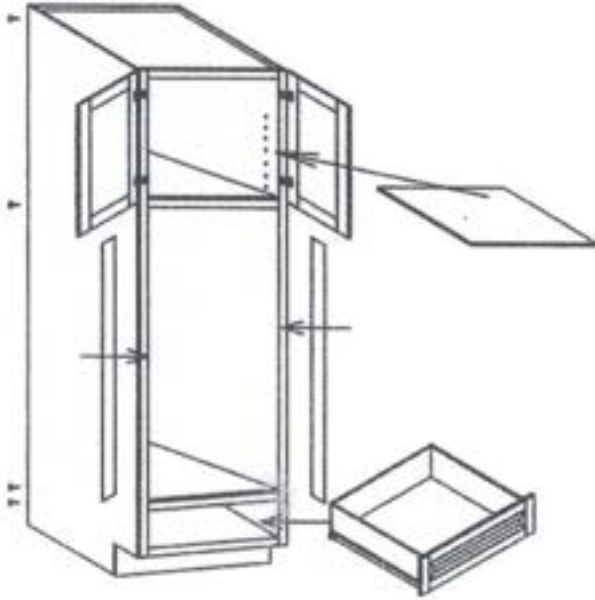
**STEP
4**



**STEP
5**



**STEP
6**



**STEP
7**

